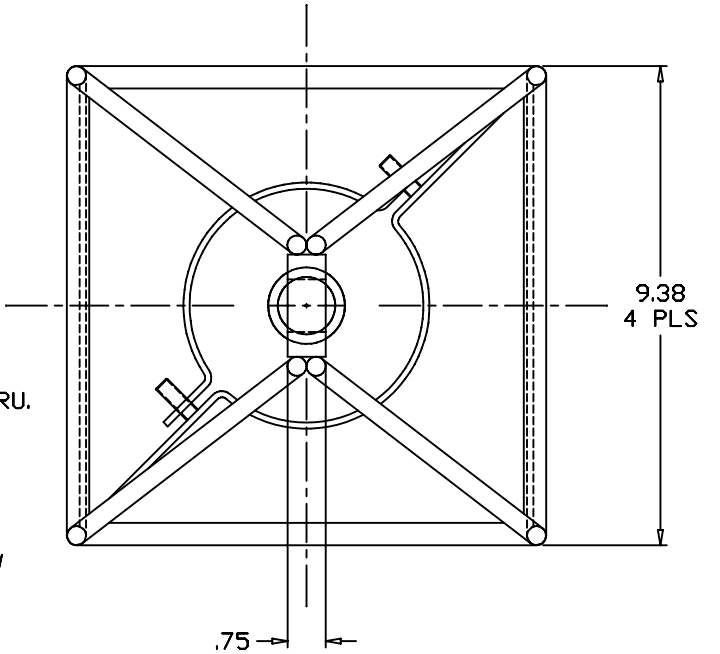
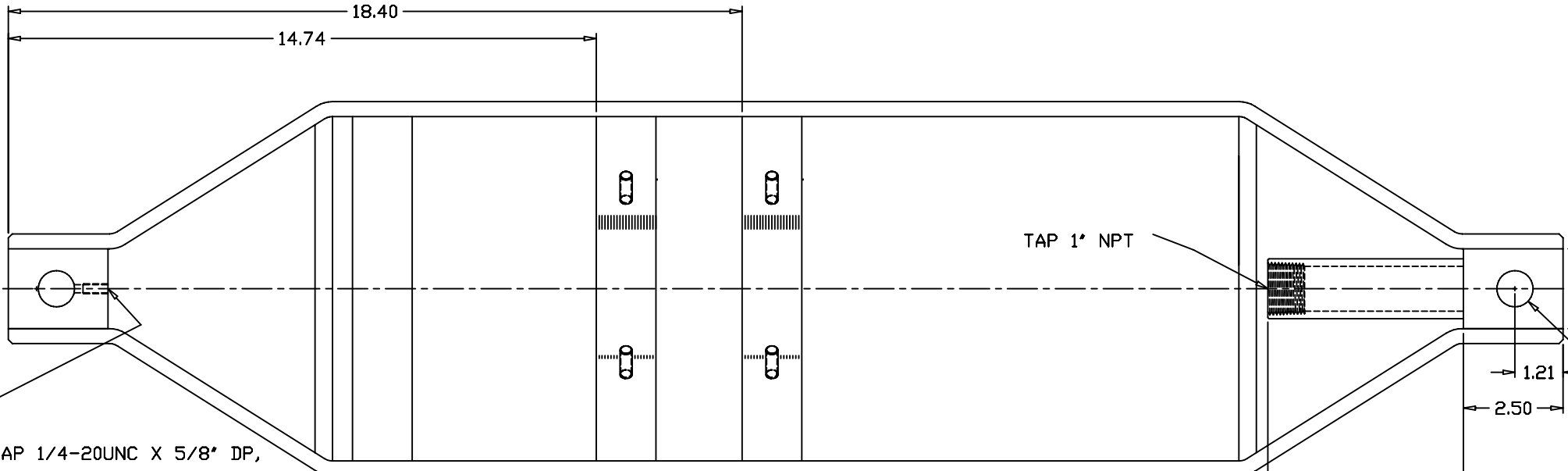
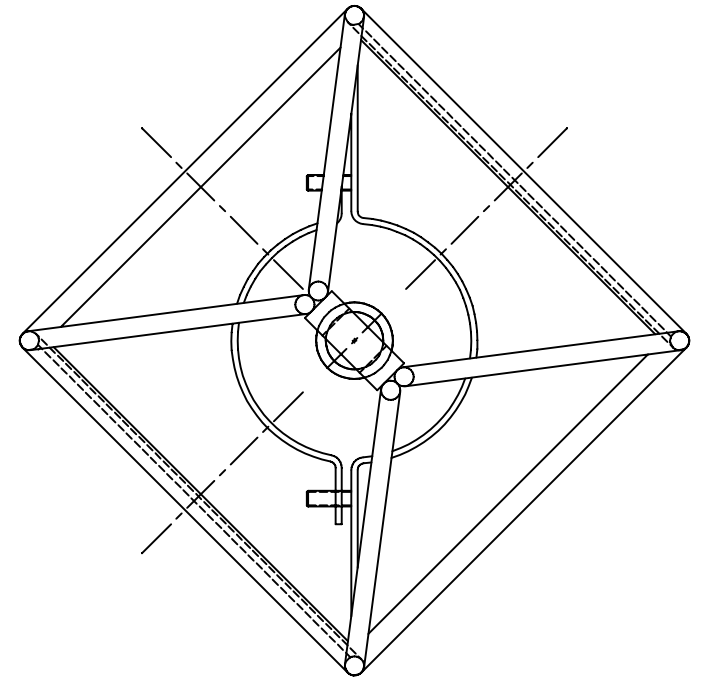
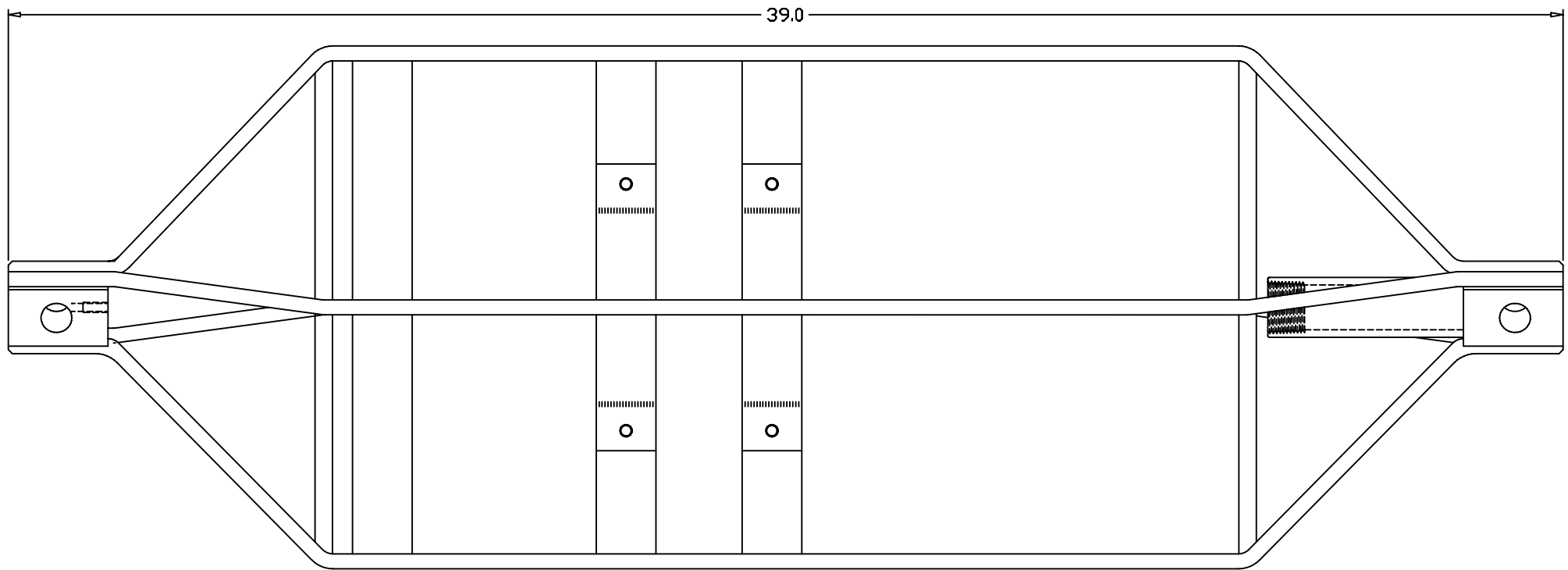


EXCEPT AS MAY BE OTHERWISE PROVIDED BY CONTRACT, THESE DRAWINGS AND SPECIFICATIONS ARE THE PROPERTY OF "FALMOUTH SCIENTIFIC INC." ARE ISSUED IN STRICT CONFIDENCE, AND SHALL NOT BE REPRODUCED, COPIED, OR USED AS THE BASIS FOR THE MANUFACTURE OR SALE OF APPARATUS WITHOUT PERMISSION.

DWG NO.		SH	REV	1
REVISIONS				
ZONE	REV	DESCRIPTION	DATE	APPROVED

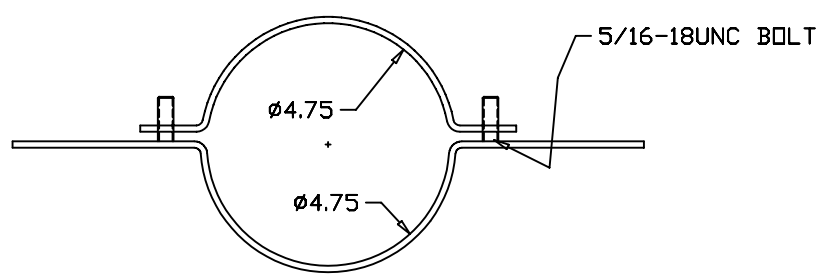


END VIEW

TAP 1/4-20UNC X 5/8" DP,

TAP 1" NPT

2.00
1.21
2.50
29/32 DR THRU.



WEIGHT IN AIR: 14.5 LBS.
WEIGHT IN WATER: 12.7 LBS.

2	B400-114	BRACKET, ACM CAGE	1
QTY	PART NUMBER	DESCRIPTION	ITEM

MATERIAL 316 STAINLESS	UNLESS OTHERWISE NOTED: DIMENSIONS ARE IN INCHES RESISTORS ARE IN OHMS CAPACITORS ARE IN MICROFARADS	APPROVALS		SIGNATURE & DATE	FALMOUTH SCIENTIFIC INC. TITLE OUTLINE, 5 TON CAGE
		DRAWN	CHECKED	DALTON 08/30/10	
FINISH NA	TOLERANCES			MECH	CAGE 0MAN5 SCALE NTS
	DECIMALS	FRACTIONS	ANGLES	ELECT	
	2 PLACES ±.01	3 PLACES ±.005	±1/64	±1/2"	
DO NOT SCALE PRINT		REMOVE BURRS, BREAK SHARP EDGES		FILENAME:	DRAWING NO. D 400-205
					REV -